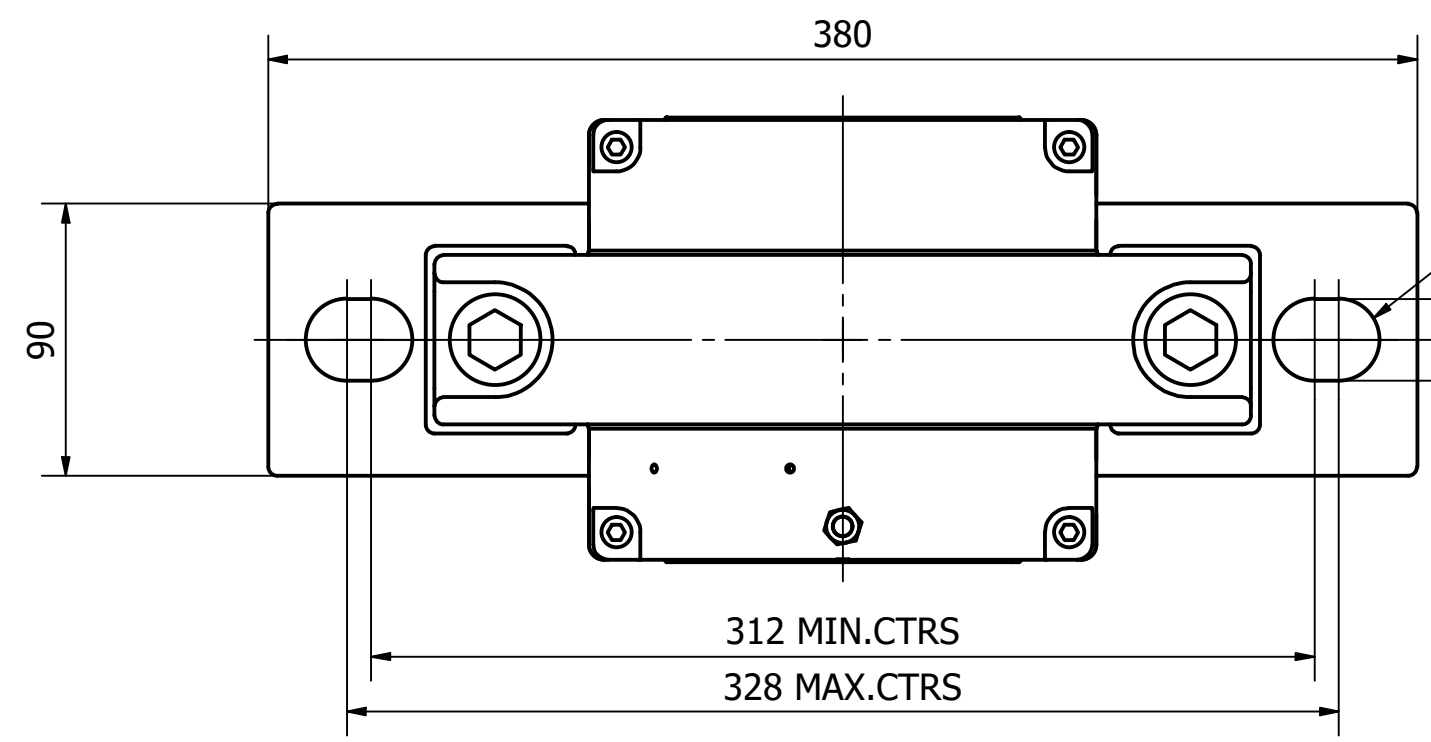
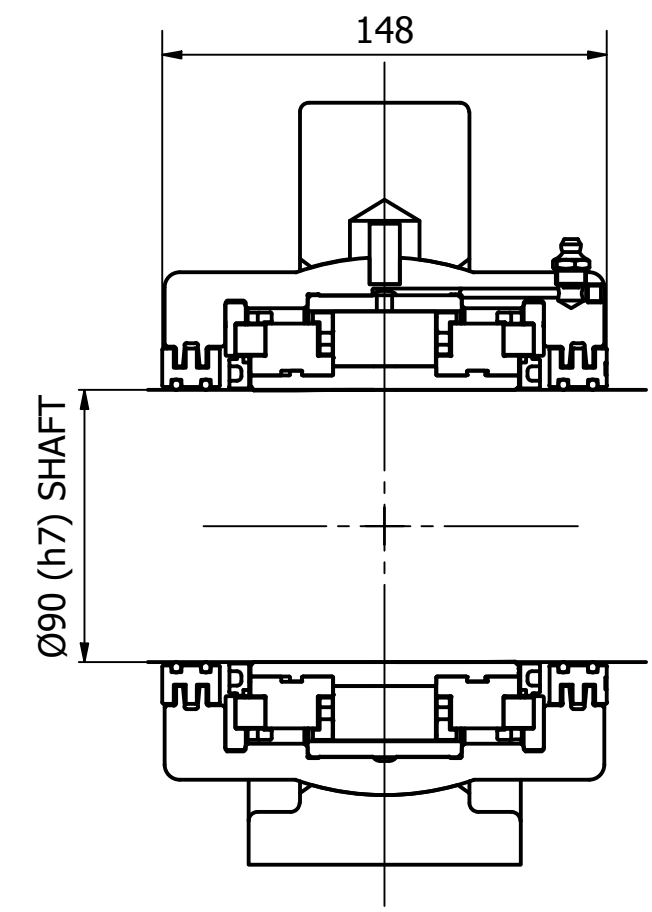
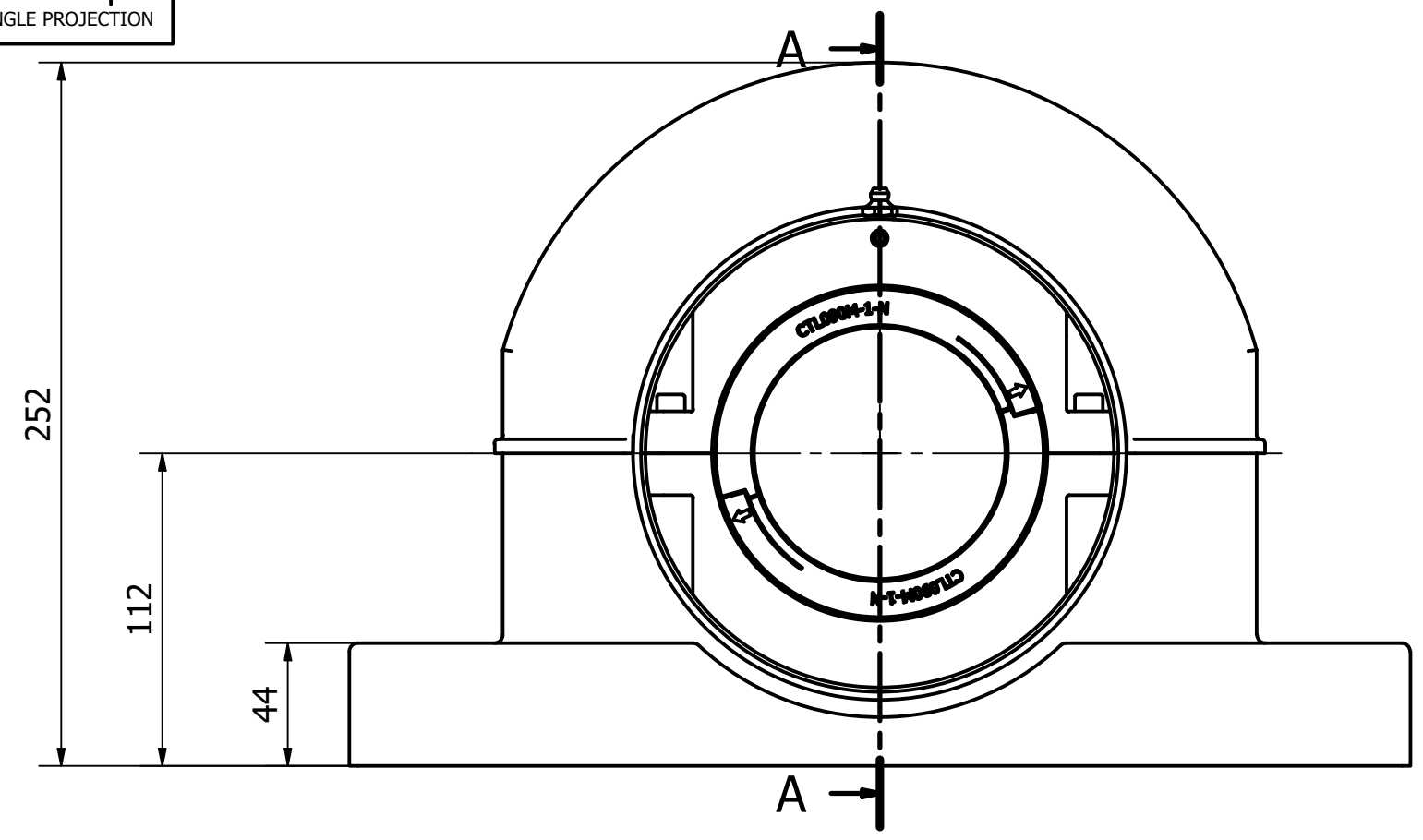


A-A (1 : 2.5)



2 SLOTS FOR
Ø24 FIXING BOLTS

BEARING RATINGS:

RADIAL DYNAMIC:	293kN
RADIAL STATIC:	414kN
AXIAL DYNAMIC:	103kN
MAX. SPEED:	2090rpm

THIS DRAWING IS THE PROPERTY OF BOWMAN ADVANCED ENGINEERING AND MUST NOT WITHOUT THEIR WRITTEN CONSENT BE PASSED ON, COPIED OR USED FOR ANY OTHER PURPOSE. DO NOT MAKE ASSUMPTIONS, IF IN DOUBT ASK.

			General notes - 1. All dimensions are in millimetres unless otherwise stated. 2. Remove all sharp edges & burrs. 3. Untoleranced dimensions - ± 0.15 (linear) & ± 3° (angular) 4. Only manufacture to drawings with a numeric issue number.	Designed by M.SIMMONS	Checked by	Date 08/02/2023	Scale 1 : 1
				Title 90mm Advanced Bearing (Complete)			Sheet (A3) 1 / 1
Rev	Date	Modification		Drawing Number BSBA M90 F SCP			
A	8-2-23	NEW DRG					