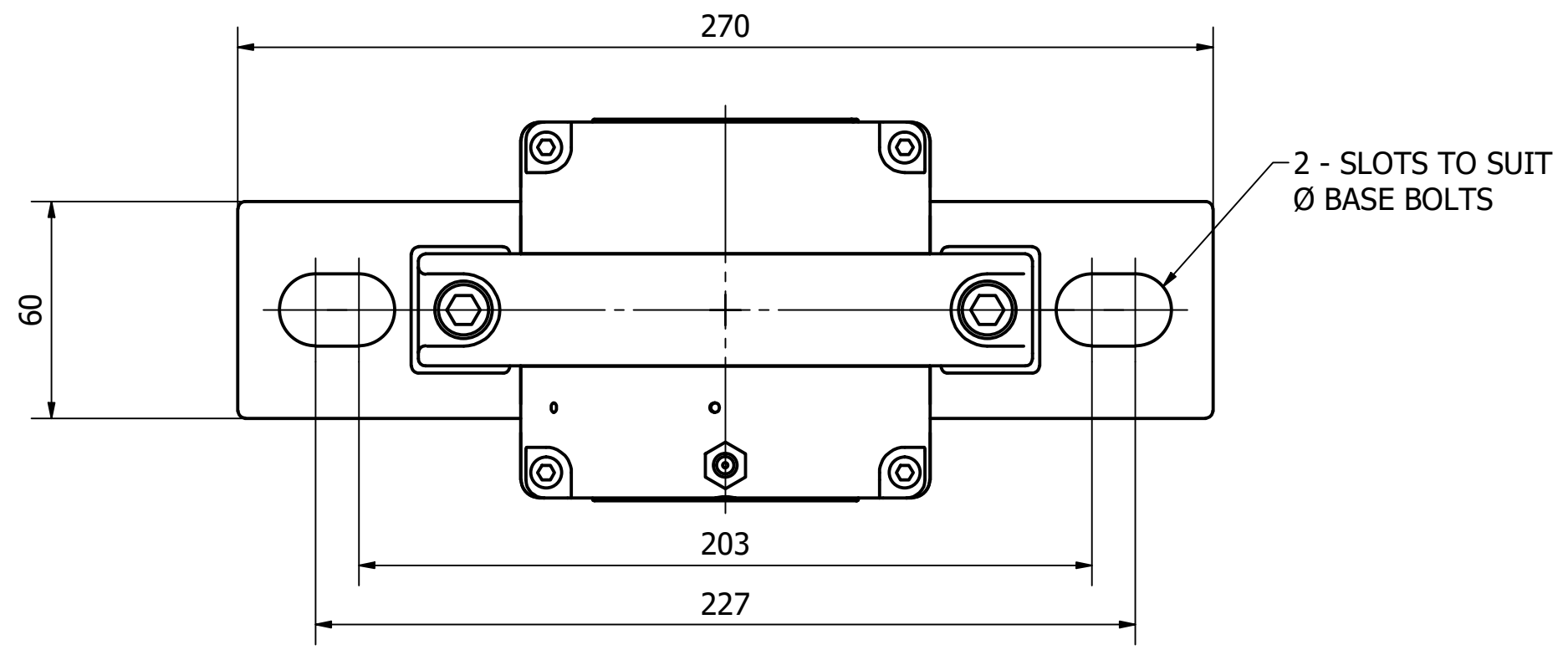
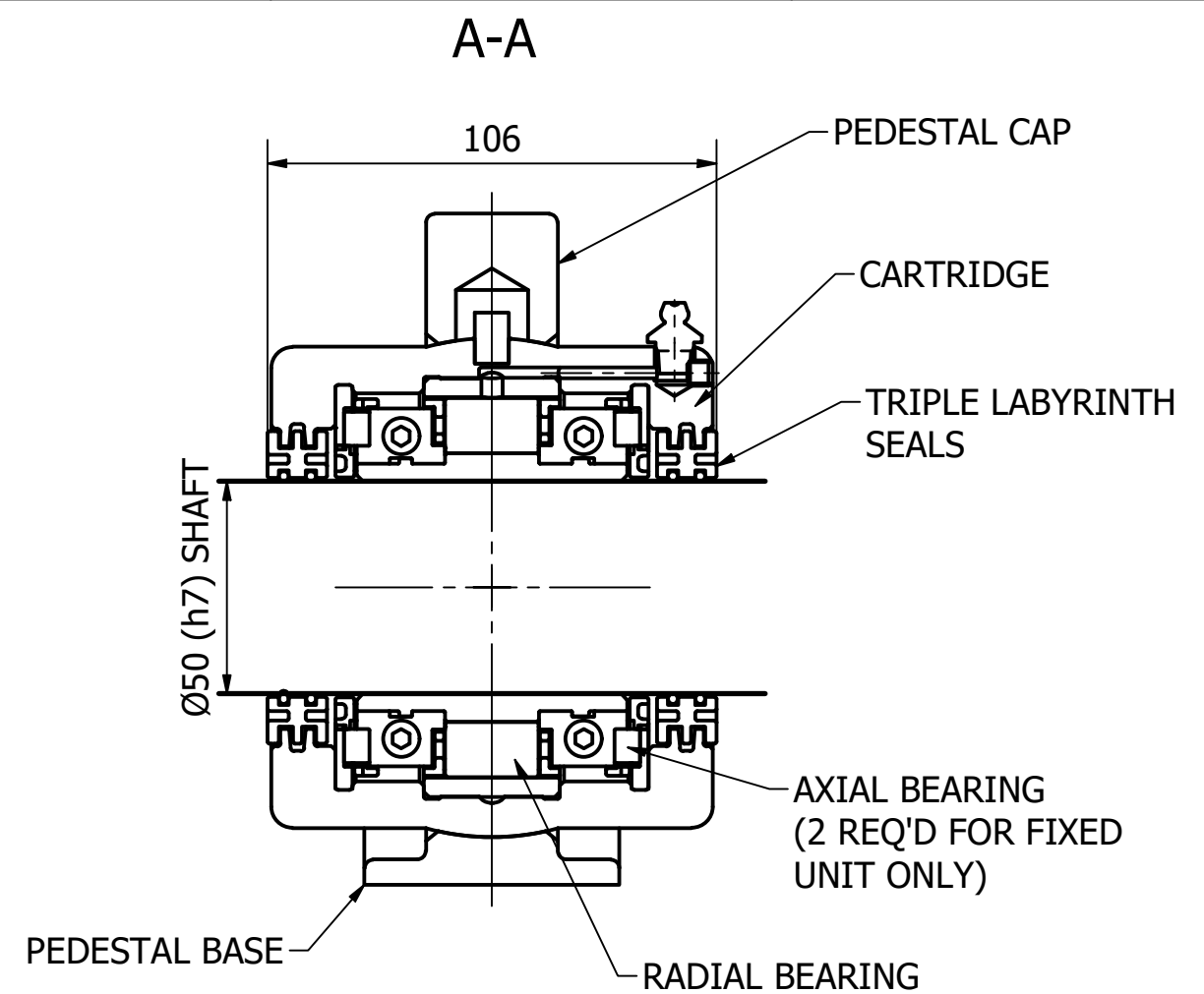
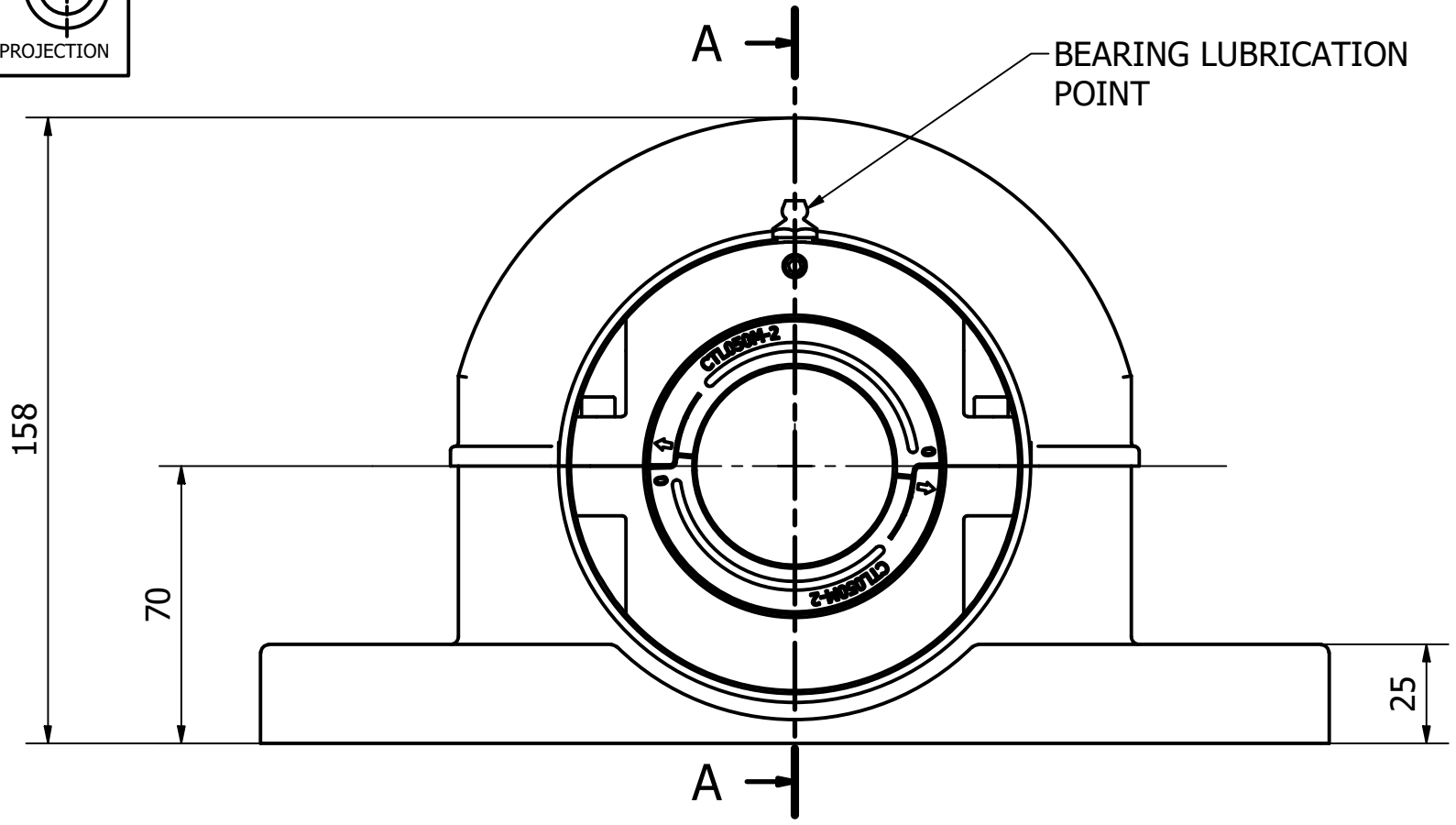


FIRST ANGLE PROJECTION



BEARING RATINGS:

- RADIAL DYNAMIC: 123kN
- RADIAL STATIC: 146kN
- AXIAL DYNAMIC: 50kN
- MAX.SPEED: 3500rpm

THIS DRAWING IS THE PROPERTY OF BOWMAN ADVANCED ENGINEERING AND MUST NOT WITHOUT THEIR WRITTEN CONSENT BE PASSED ON, COPIED OR USED FOR ANY OTHER PURPOSE. DO NOT MAKE ASSUMPTIONS, IF IN DOUBT ASK.

			General notes - 1. All dimensions are in millimetres unless otherwise stated. 2. Remove all sharp edges & burrs. 3. Untoleranced dimensions - ± 0.15 (linear) & ± 3° (angular) 4. Only manufacture to drawings with a numeric issue number.		Designed by M.SIMMONS		Checked by		Date 10/03/2023		Scale 1 : 1	
					Title 50mm Advanced Bearing (Complete)							
Rev Date Modification					Drawing Number BSBA M50 F SCP				Sheet (A3) 1 / 1			