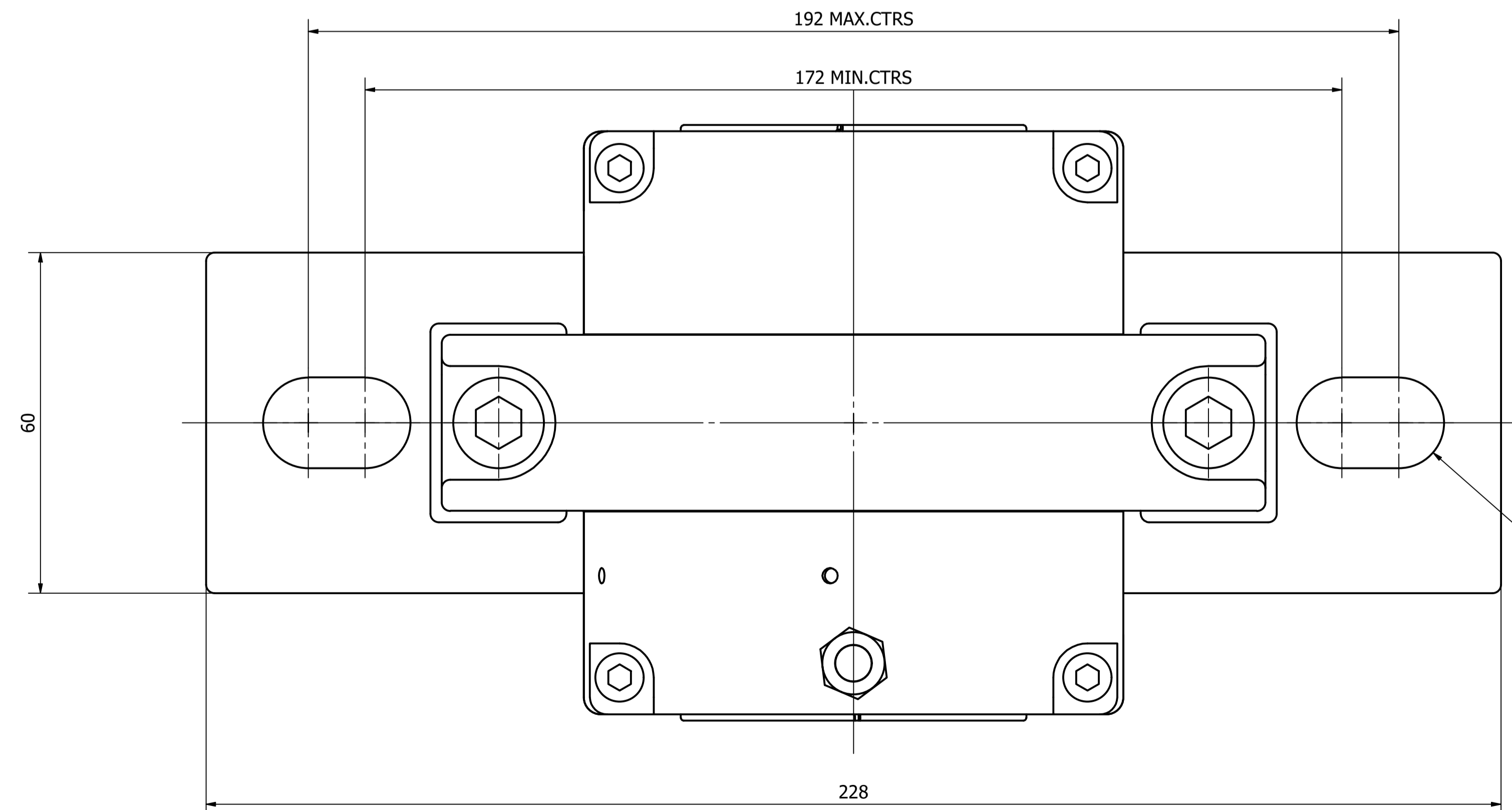
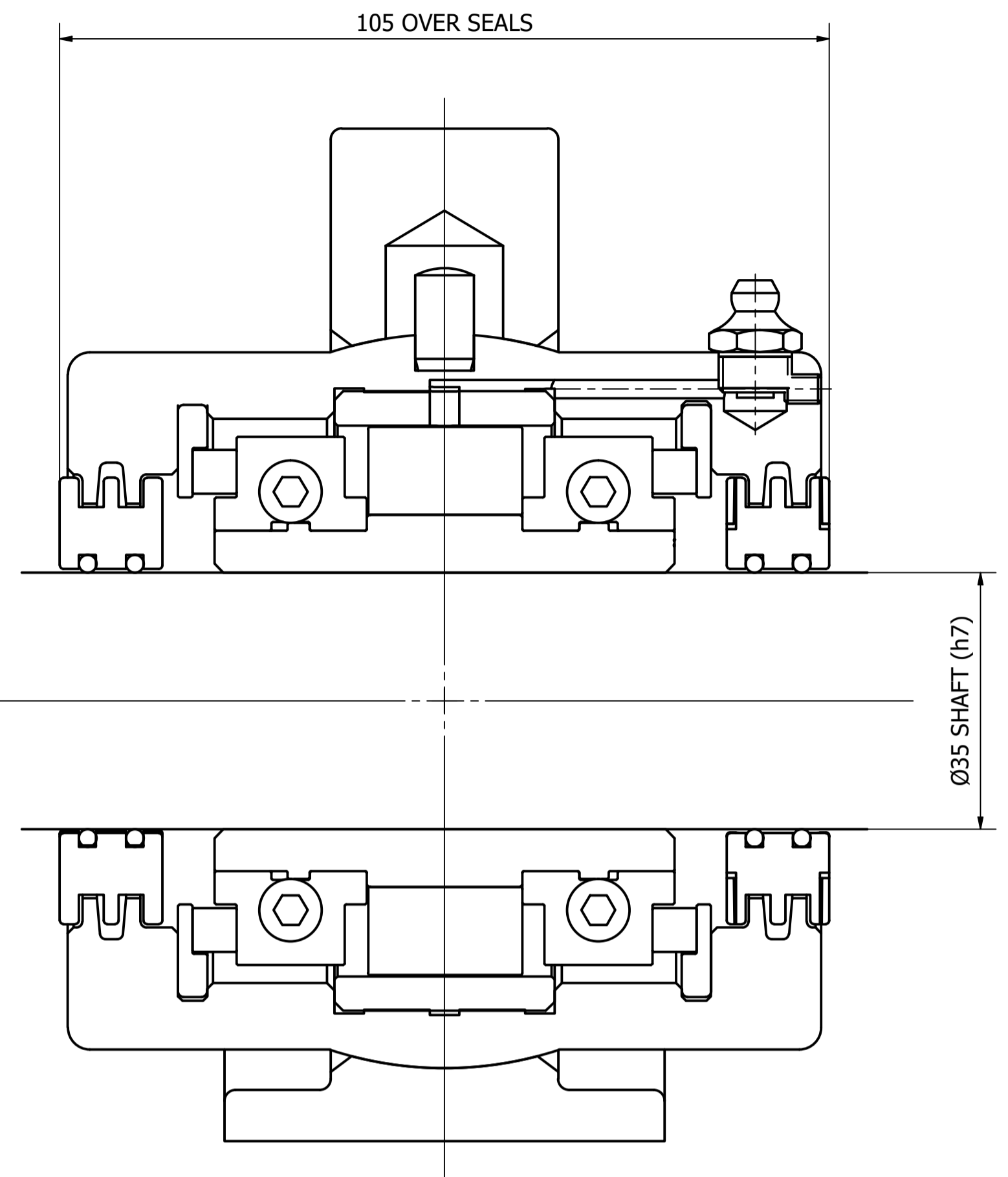
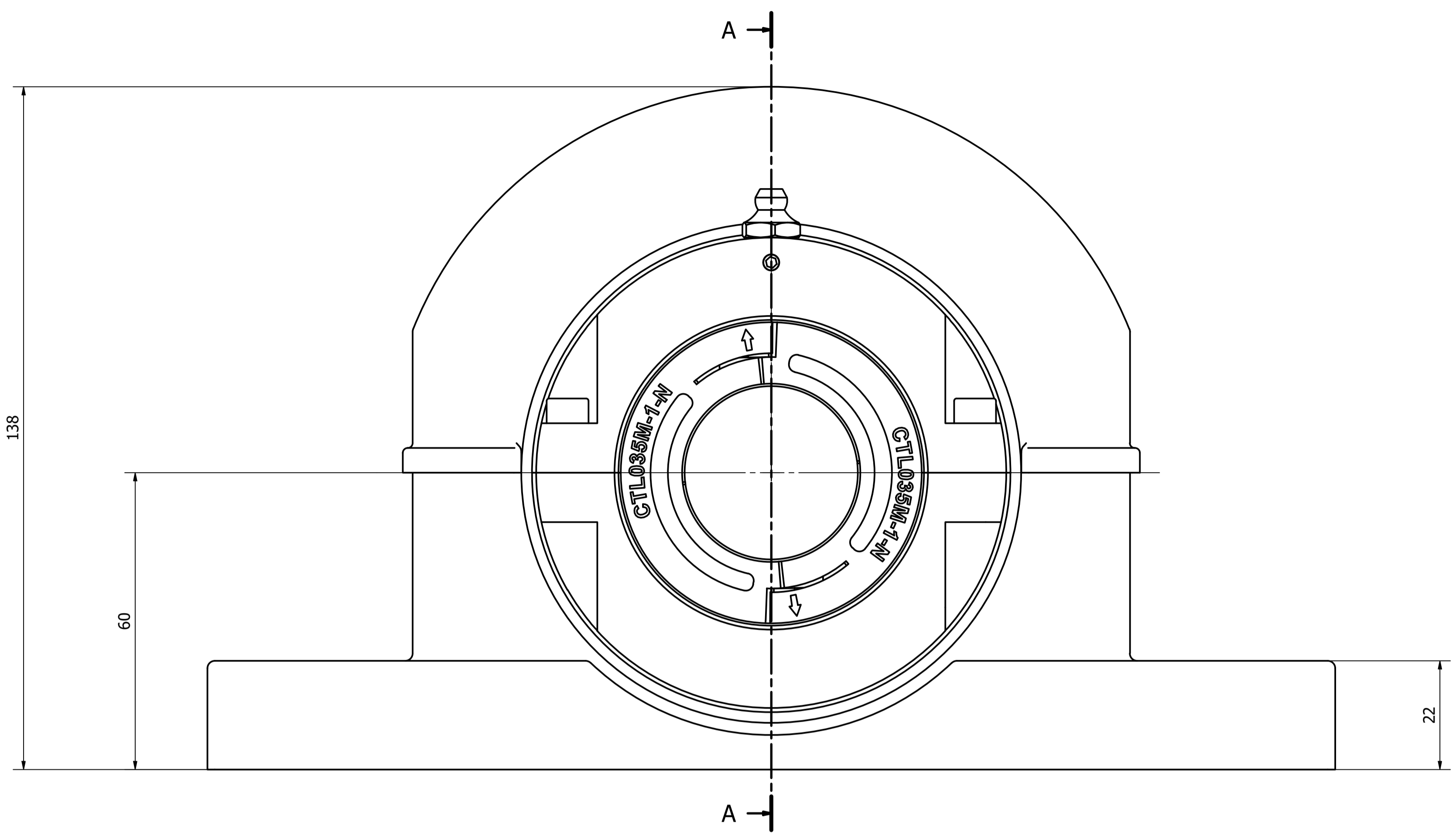


A-A (1.5: 1)



2 - SLOTS TO SUIT Ø12 FIXING BOLTS

THIS DRAWING IS THE PROPERTY OF BOWMAN ADVANCED ENGINEERING AND MUST NOT WITHOUT THEIR WRITTEN CONSENT BE PASSED ON, COPIED OR USED FOR ANY OTHER PURPOSE. DO NOT MAKE ASSUMPTIONS, IF IN DOUBT ASK.

Rev		Date	Modification	General notes - 1. All dimensions are in millimetres unless otherwise stated. 2. Remove all sharp edges & burrs. 3. Untoleranced dimensions - ± 0.15 (linear) & ± 3° (angular) 4. Only manufacture to drawings with a numeric issue number.		Designed by M.SIMMONS		Checked by _____		Date 19/10/2022		Scale 1 : 1	
				BOWMAN SPLIT BEARINGS				Title 35mm PEDESTAL MOUNTED BEARING					
				Drawing Number BSBA M35 F SCP				Sheet (A3) 1 / 1					