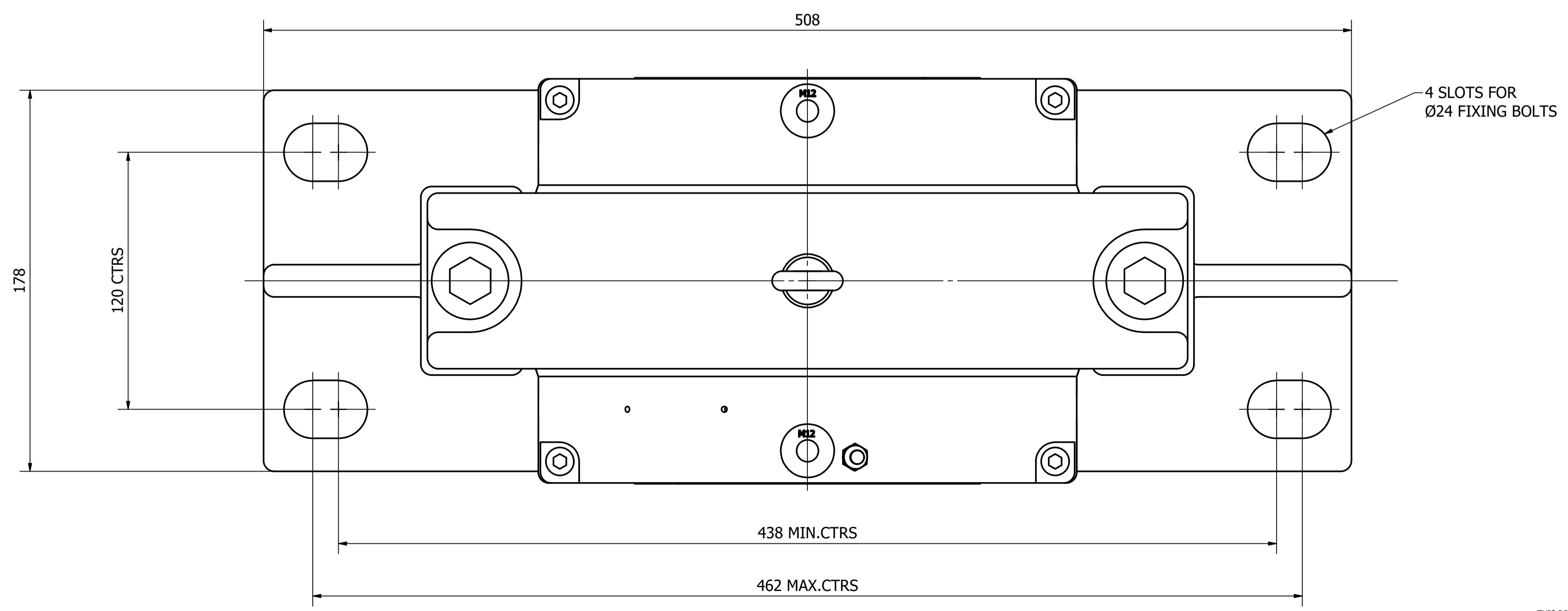
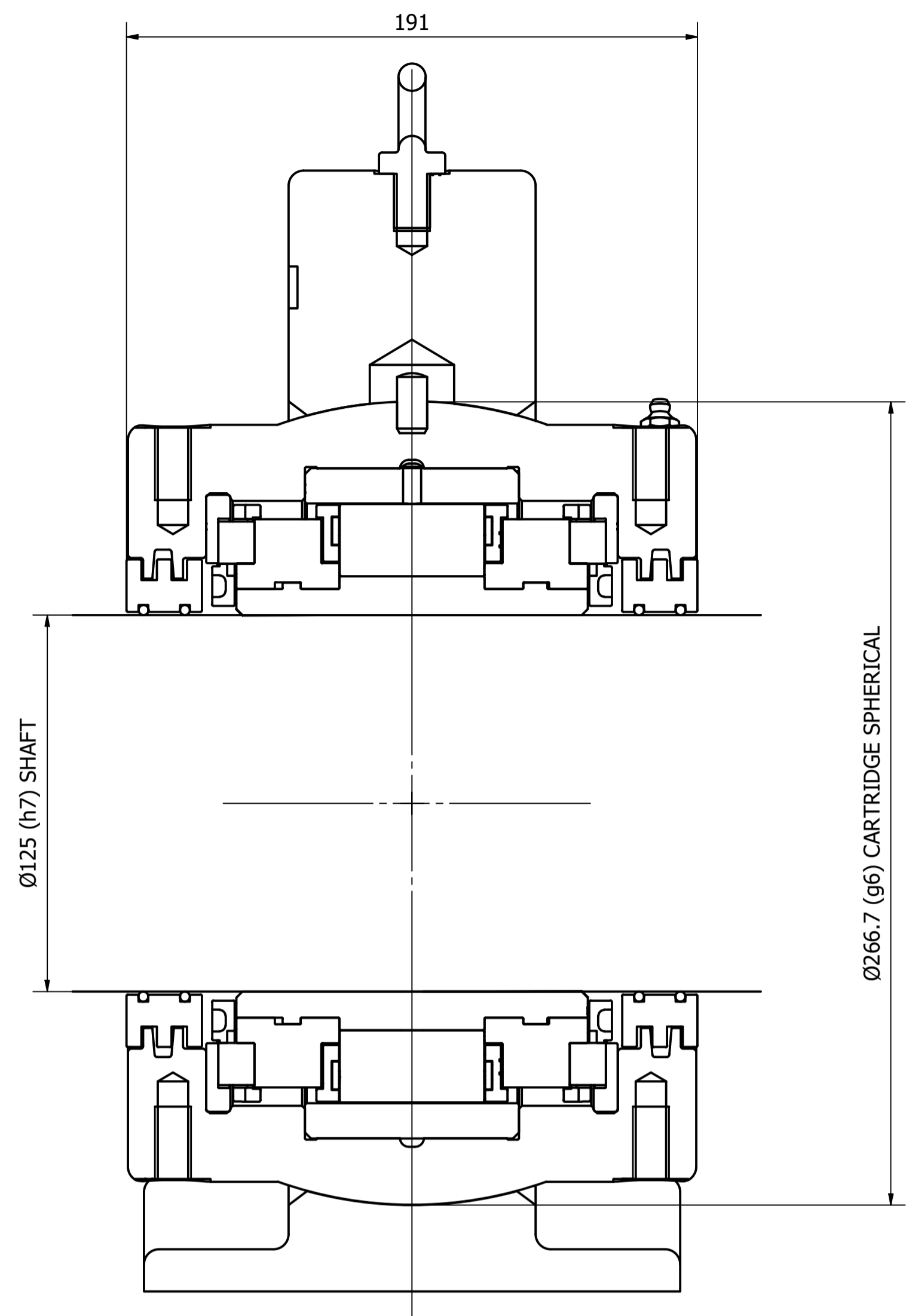
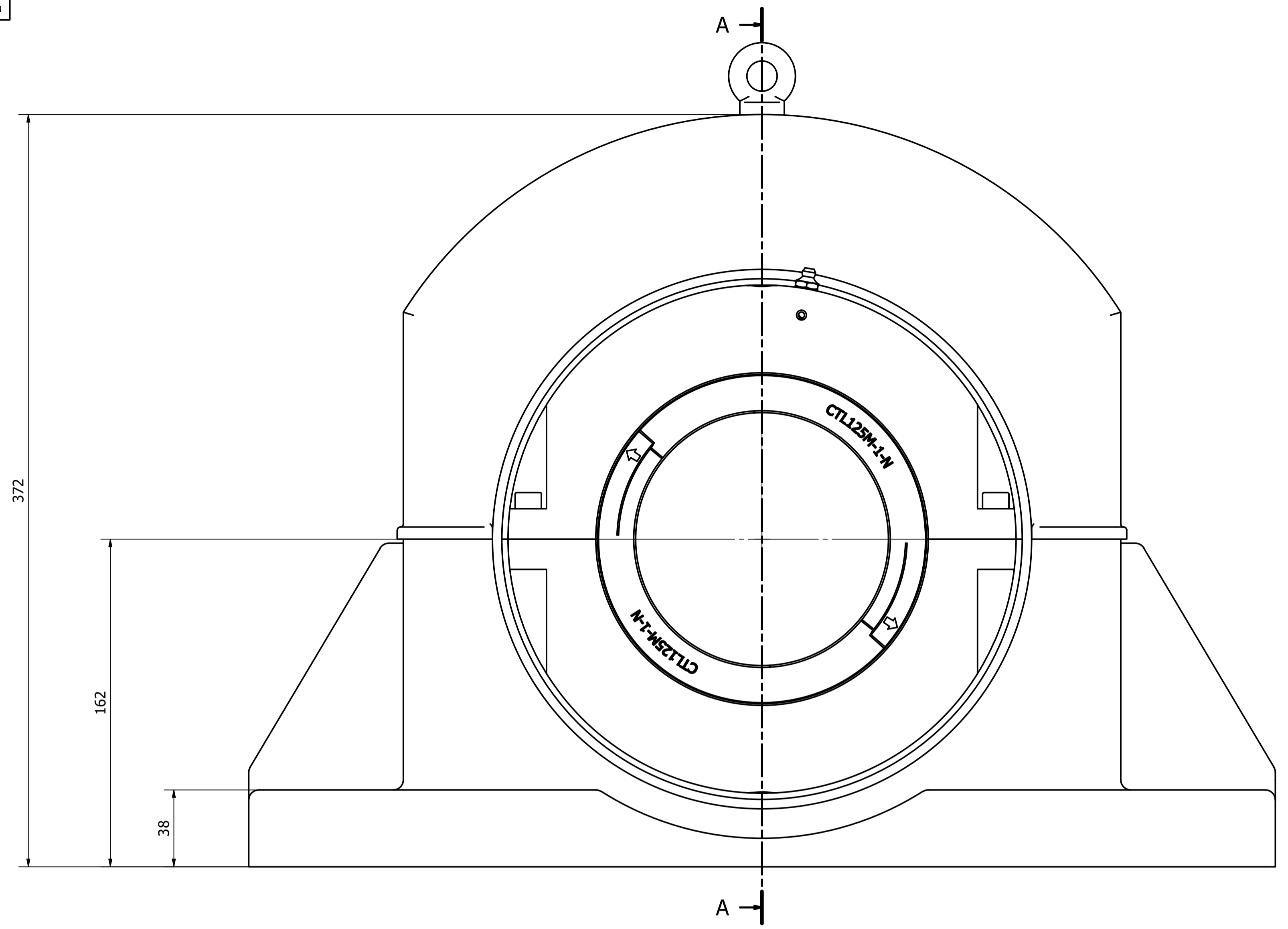


A-A (1 : 1.5)



BEARING RATINGS:
 RADIAL DYNAMIC: 561kN
 RADIAL STATIC: 874kN
 AXIAL DYNAMIC: 178kN
 MAX.SPEED: 1460rpm

THIS DRAWING IS THE PROPERTY OF BOWMAN ADVANCED ENGINEERING AND MUST NOT WITHOUT THEIR WRITTEN CONSENT BE PASSED ON, COPIED OR USED FOR ANY OTHER PURPOSE. DO NOT MAKE ASSUMPTIONS, IF IN DOUBT ASK.

Rev	Date	Modification

Designed by M.SIMMONS	Checked by	Date 15/06/2023	Scale 1 : 1
		Title 125mm Advanced Bearing Complete	
		Drawing Number BSBA M125 F SCP	
General notes - 1. All dimensions are in millimetres unless otherwise stated. 2. Remove all sharp edges & burrs. 3. Untoleranced dimensions - ± 0.15 (linear) & ± 3° (angular) 4. Only manufacture to drawings with a numeric issue number.			Sheet (A3) 1 / 1