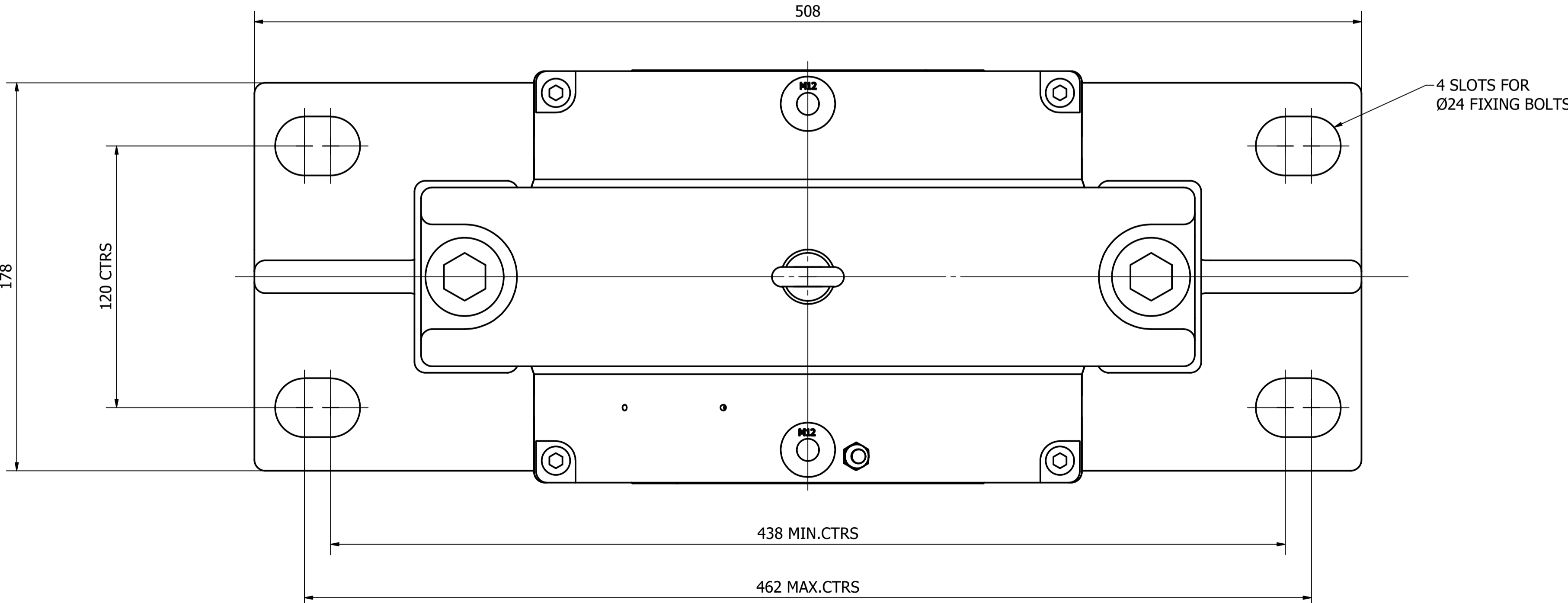
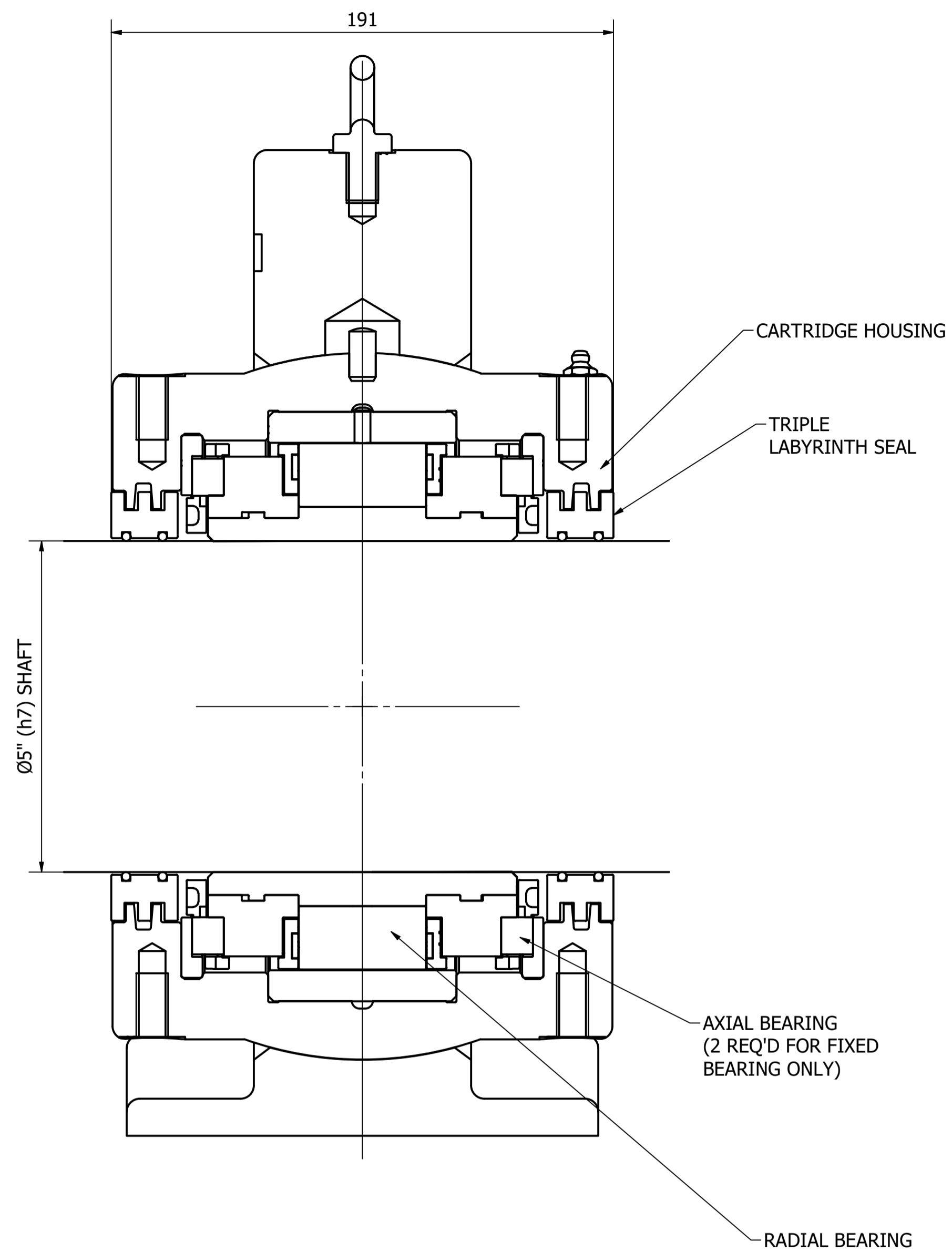
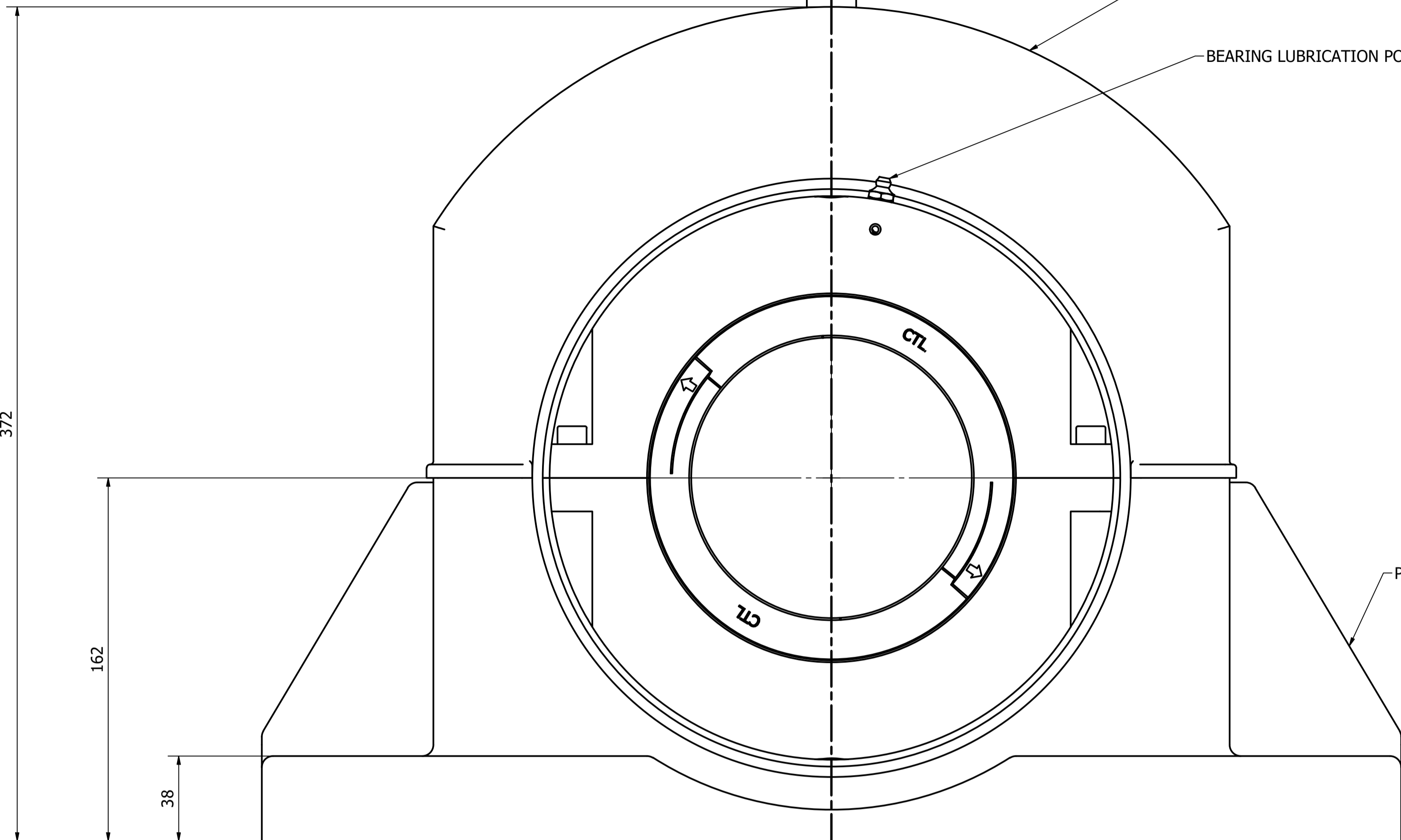


A-A (1 : 1.5)



BEARING RATINGS:

RADIAL DYNAMIC:	561kN
RADIAL STATIC:	874kN
AXIAL DYNAMIC:	178kN
MAX.SPEED:	1460rpm
APPROX.WEIGHT:	92kg

THIS DRAWING IS THE PROPERTY OF BOWMAN ADVANCED ENGINEERING AND MUST NOT WITHOUT THEIR WRITTEN CONSENT BE PASSED ON, COPIED OR USED FOR ANY OTHER PURPOSE. DO NOT MAKE ASSUMPTIONS, IF IN DOUBT ASK.

General notes -		Designed by	Checked by	Date	Scale
1. All dimensions are in millimetres unless otherwise stated.		M.SIMMONS		15/06/2023	1 : 1
2. Remove all sharp edges & burrs.					
3. Untoleranced dimensions - ± 0.15 (linear) & ± 3° (angular)					
4. Only manufacture to drawings with a numeric issue number.		Title		Sheet (A3)	
Rev		Date		Modification	
Title		Drawing Number		Sheet (A3)	
5" Advanced Bearing Complete		BSBA E500 F SCP		1 / 1	