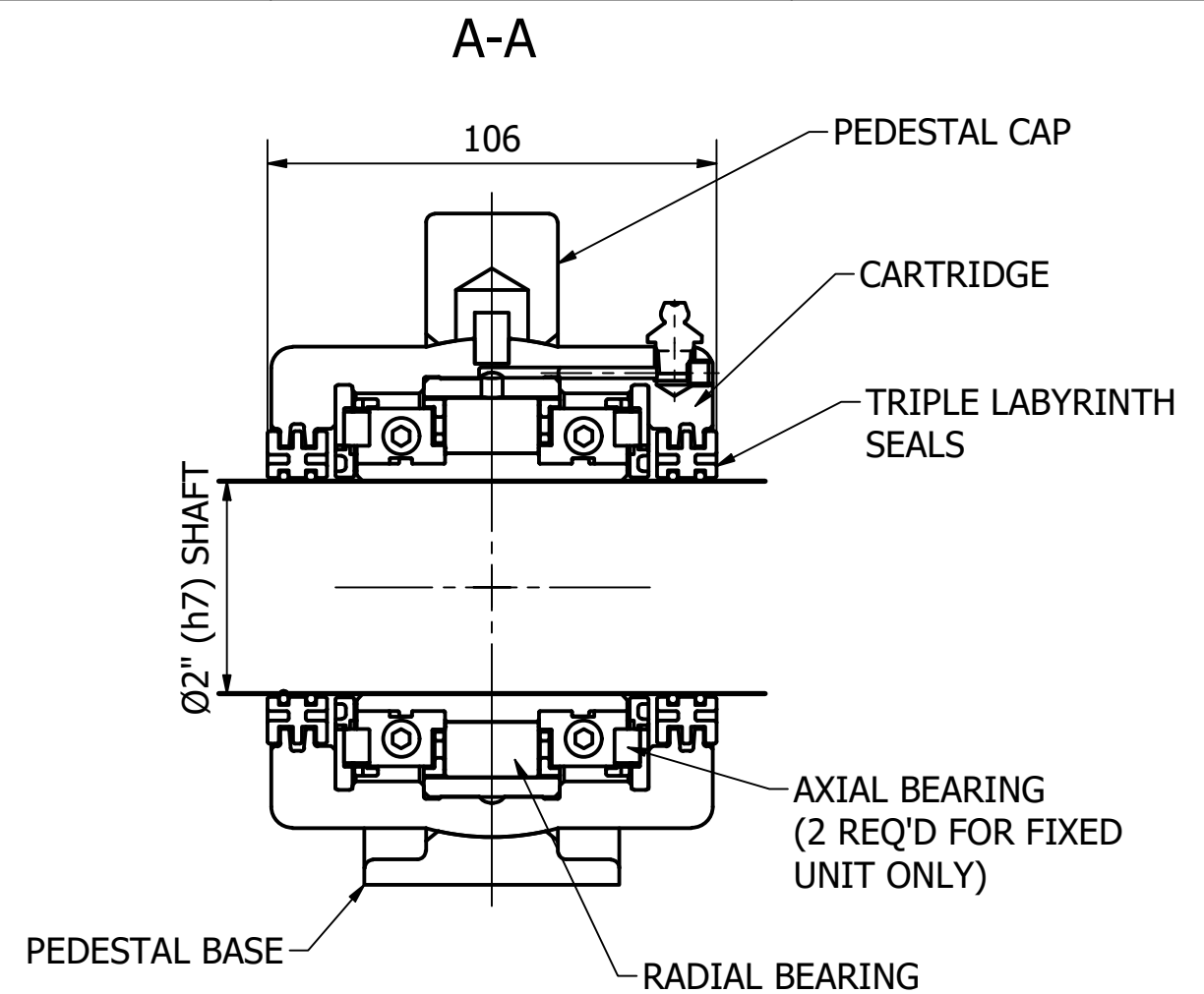
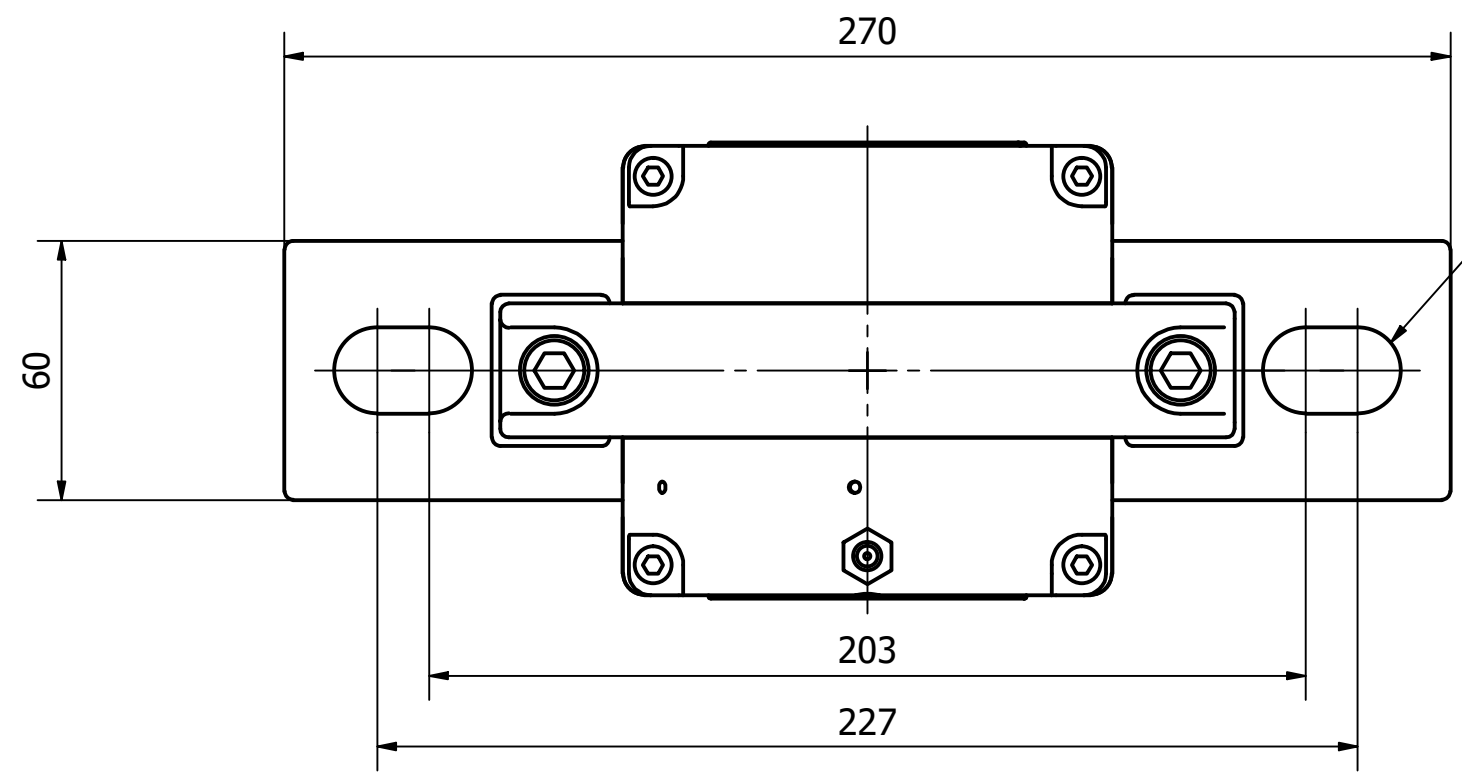
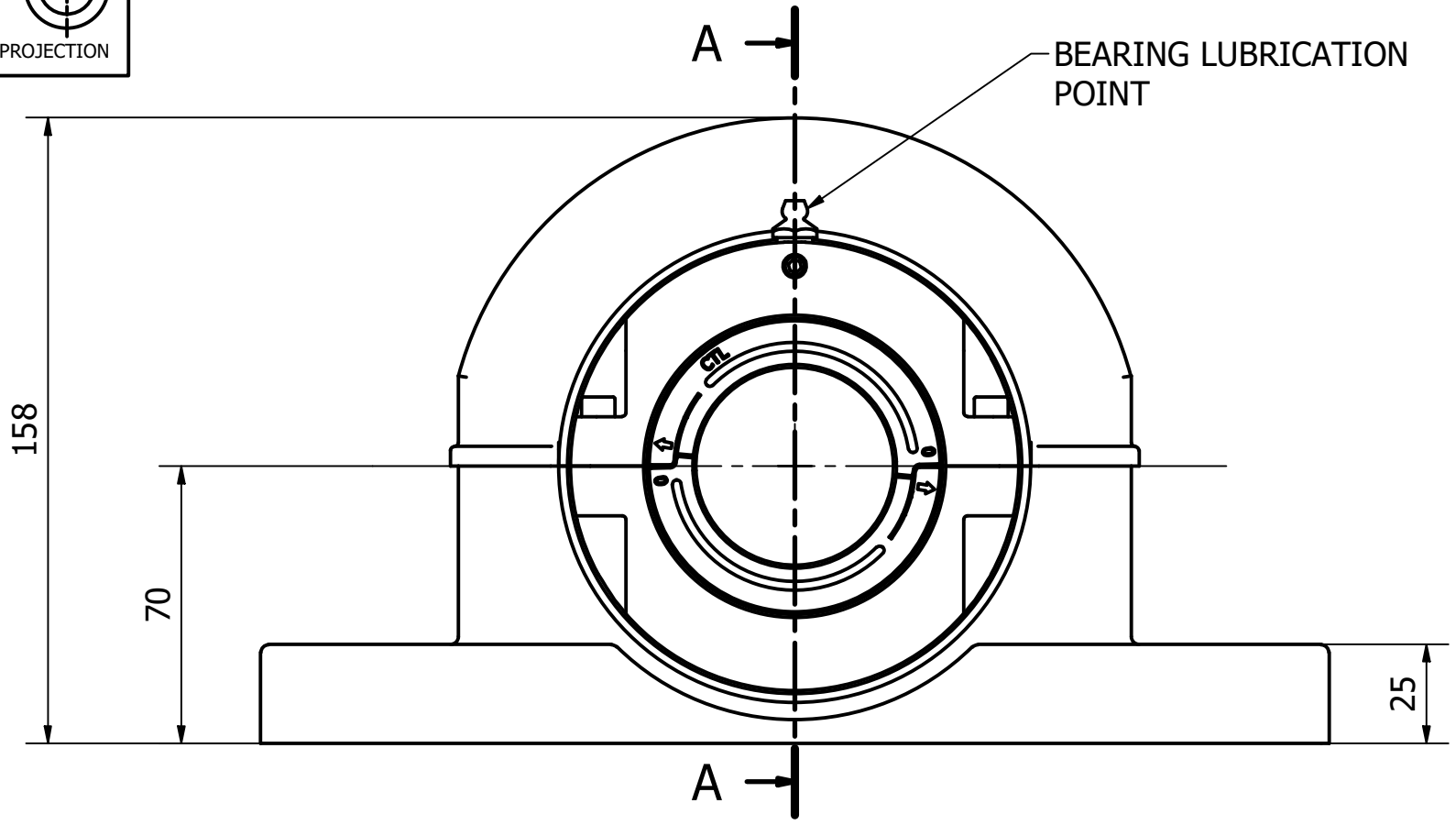


FIRST ANGLE PROJECTION



BEARING RATINGS:

- RADIAL DYNAMIC: 123kN
- RADIAL STATIC: 146kN
- AXIAL DYNAMIC: 50kN
- MAX.SPEED: 3500rpm
- APPROX.WEIGHT: 9.3kg

THIS DRAWING IS THE PROPERTY OF BOWMAN ADVANCED ENGINEERING AND MUST NOT WITHOUT THEIR WRITTEN CONSENT BE PASSED ON, COPIED OR USED FOR ANY OTHER PURPOSE. DO NOT MAKE ASSUMPTIONS, IF IN DOUBT ASK.

Rev	Date	Modification

General notes -

- All dimensions are in millimetres unless otherwise stated.
- Remove all sharp edges & burrs.
- Untoleranced dimensions - ± 0.15 (linear) & ± 3° (angular)
- Only manufacture to drawings with a numeric issue number.

Designed by
M.SIMMONS

Checked by

Date
10/03/2023

Scale
1 : 1



Title
2" Advanced Bearing (Complete)

Drawing Number
BSBA E200 F SCP

Sheet (A3)
1 / 1